



Inline mixed-flow fan

Turbo

Air capacity — up to 1750 m³/h

■ Use

- ❑ Supply and exhaust ventilation systems installed in various premises.
- ❑ Mounting in kitchens, bathrooms and other humid premises.
- ❑ Ventilation air ducts requiring high pressure, powerful air flow and low noise level.
- ❑ Compatible with Ø100 up to 315 mm round air ducts.

■ Design

- ❑ Casing made of impact- and corrosion-resistant ABS plastic (Ø100-200) or polypropylene of low-flammability (Ø250-315).
- ❑ Ventilation unit with terminal box. Can be turned to any position.
- ❑ Special casing design permits easy dismantling of the impeller and motor block for fan servicing without dismantling the air duct.

■ Motor

- ❑ Double-speed single-phase motor on ball bearings.
- ❑ Equipped with thermal overload protection.

■ Speed control

- ❑ The built-in switch (option **US**) or external switch for multi-speed fans (available upon separate order) are used to select one of two capacity modes.
- ❑ Smooth speed control is possible with a built-in speed controller (option **FR**) or an external thyristor speed controller (available upon separate order).

■ Mounting

- ❑ Due to compact design the fan is the ideal solution for mounting in limited spaces, including space behind a false ceiling.
- ❑ The fan can be installed in any section of the ventilation system from intake to the end of the ductworks.
- ❑ Wall or ceiling mounting with a mounting plate.

- ❑ **TD** – mounting kit for installation of one diameter fans in parallel (for boosting capacity)



- ❑ **TL** – mounting kit for installation of one diameter fans in series (for boosting pressure).



■ Modifications and options

- **T** – adjustable run-out timer regulated from 2 to 30 minutes.
- **US** – three-position speed switch integrated in the fan.



- **FR** – built-in smooth speed controller from 0 to 100%. The fan is supplied with a pre-wired power cable with IEC plug as a standard. The cable modification with a standard electric plug is also available (**FR1**).



- **G** – smooth speed controller with an electronic thermostat and an external temperature sensor that is fixed on 4 m power cable. The fan is

supplied with a pre-wired power cable with IEC plug as a standard. The cable modification with a standard electric plug is also available (**G1**).

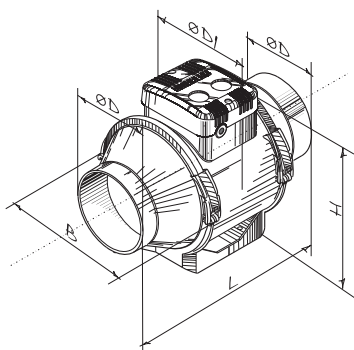


- **GI** – smooth speed controller with an electronic thermostat and a temperature sensor integrated into the air duct. The fan is supplied with a pre-wired power cable with IEC plug as a standard. The cable modification with a standard electric plug is also available (**GI1**).

The options **G** and **GI** are used for automatic speed control depending on indoor temperature. The best ventilation solution for premises requiring permanent temperature control as greenhouses, orangeries, etc.

- **W** – the fan is equipped with a pre-wired power cable and IEC plug as a standard. Modification with a standard electric plug is available (**W1**).
- **max** – high-powered motor.

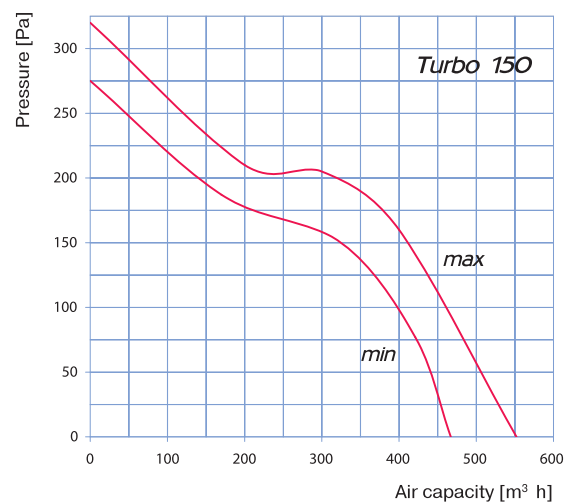
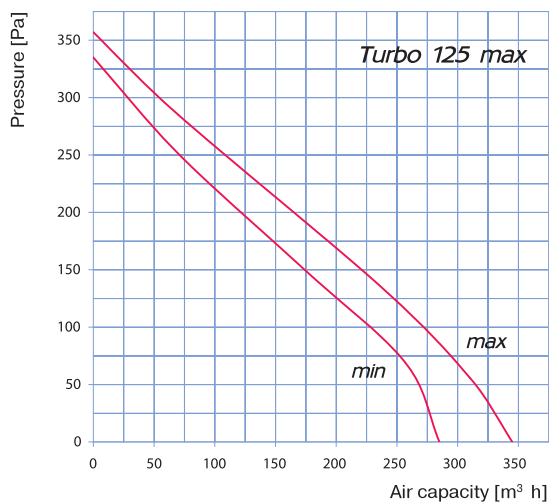
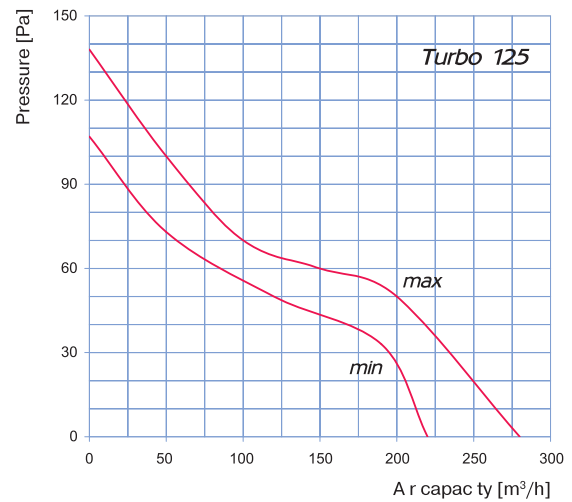
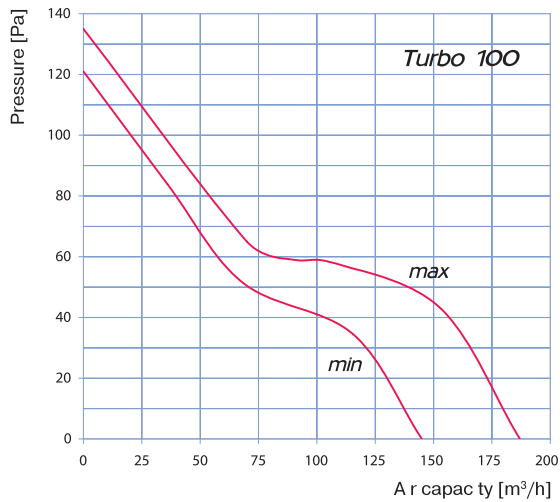
■ Overall dimensions



| Type | Dimensions [mm] | | | | | Weight [kg] |
|-----------|-----------------|-----|-----|-----|-------|-------------|
| | ØD | ØD1 | B | H | L | |
| Turbo 100 | 97 | 164 | 196 | 241 | 303 | 1,68 |
| Turbo 125 | 123 | 164 | 196 | 241 | 258 | 1,79 |
| Turbo 150 | 148 | 187 | 220 | 251 | 289 | 3,18 |
| Turbo 160 | 158 | 187 | 220 | 251 | 289 | 3,23 |
| Turbo 200 | 199 | 209 | 239 | 261 | 295,5 | 3,8 |
| Turbo 250 | 247 | 257 | 287 | 323 | 383 | 7,83 |
| Turbo 315 | 310 | 323 | 362 | 408 | 445 | 11,7 |

■ Specifications

| Parameters | Turbo 100 | | Turbo 125 | | Turbo 125 max | | Turbo 150 | |
|--|-----------|------|-----------|------|---------------|------|-----------|------|
| | min | max | min | max | min | max | m n | max |
| Speed | | | | | | | | |
| Voltage [V / 50 Hz] | 1~230 | | 1~230 | | 1~230 | | 1~230 | |
| Power [W] | 21 | 33 | 23 | 37 | 28 | 54 | 30 | 60 |
| Current [A] | 0,12 | 0,2 | 0,19 | 0,26 | 0,1 | 0,16 | 0,17 | 0,27 |
| Maximum air capacity [m ³ /h] | 145 | 187 | 220 | 280 | 285 | 345 | 467 | 552 |
| RPM | 2450 | 2500 | 1960 | 2500 | 1875 | 2500 | 1670 | 2450 |
| Sound pressure level at 3 m distance [dBA] | 28 | 35 | 29 | 36 | 31 | 42 | 33 | 44 |
| Max. operating temperature [°C] | 60 | | 60 | | 60 | | 60 | |
| Ingress protection rating | IP X4 | | IP X4 | | IP X4 | | IP X4 | |



■ Specifications

| Parameters | Turbo 200 | | Turbo 250 | | Turbo 315 | |
|--|-----------|------|-----------|------|-----------|------|
| | min | max | min | max | min | max |
| Speed | | | | | | |
| Voltage [V / 50 /60 Hz] | 1~ 230 | | 1~ 230 | | 1~ 230 | |
| Power [W] | 76 | 108 | 125 | 177 | 227 | 315 |
| Current [A] | 0,34 | 0,48 | 0,54 | 0,79 | 0,99 | 1,42 |
| Maximum air capacity [m ³ /h] | 805 | 1080 | 1070 | 1360 | 1420 | 1750 |
| RPM [min ⁻¹] | 1915 | 2380 | 1955 | 2440 | 2115 | 2505 |
| Sound pressure level at 3 m distance [dBA] | 45 | 52 | 47 | 55 | 47 | 56 |
| Max. operating temperature [°C] | 60 | | 60 | | 60 | |
| Ingress protection rating | IP X4 | | IP X4 | | IP X4 | |

